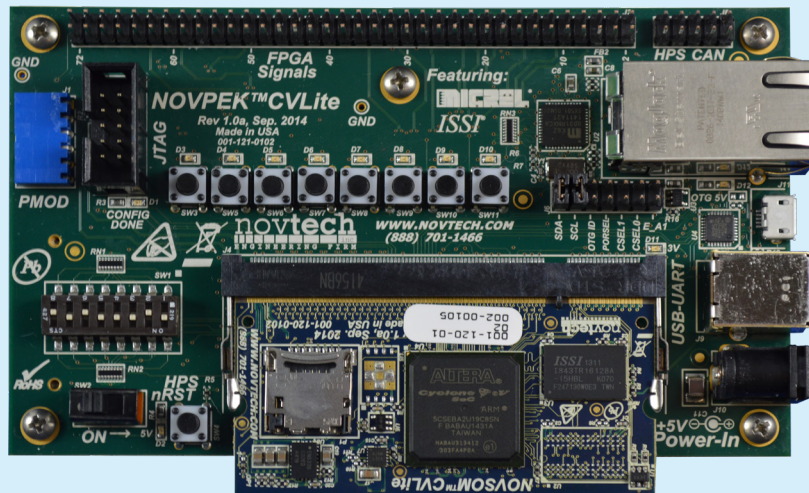


NOVPEK™ CVLite

Platform Evaluation Kit

Unleash the power of the Intel Cyclone V SoC



NOVPEK™ CVLite



FPGA Design
Solutions Network
Platinum



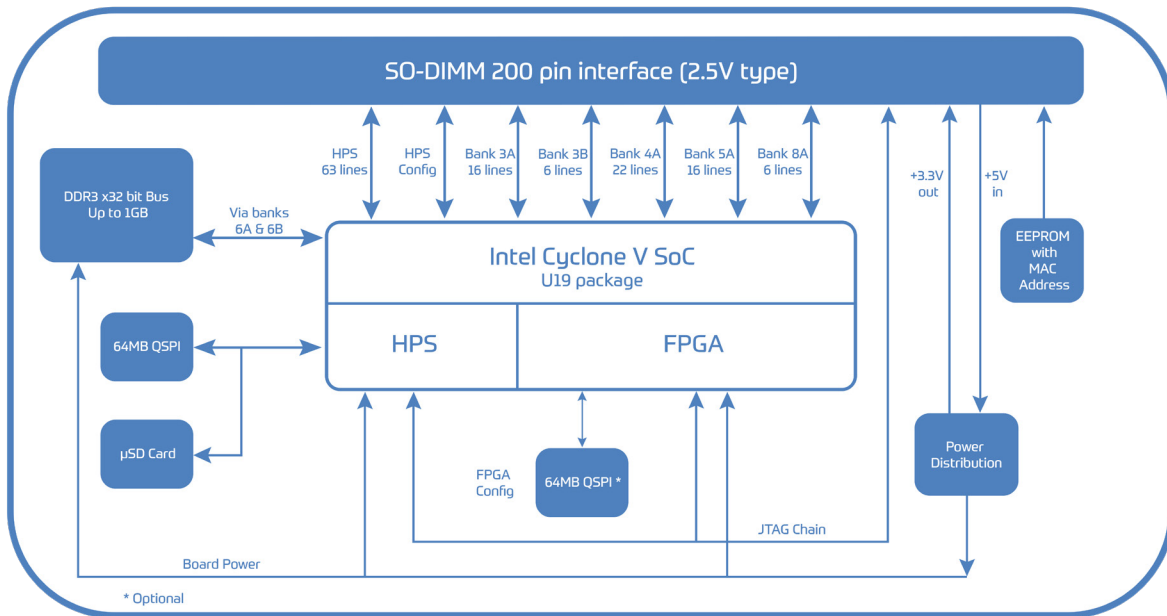
Kit Contents:

Hardware

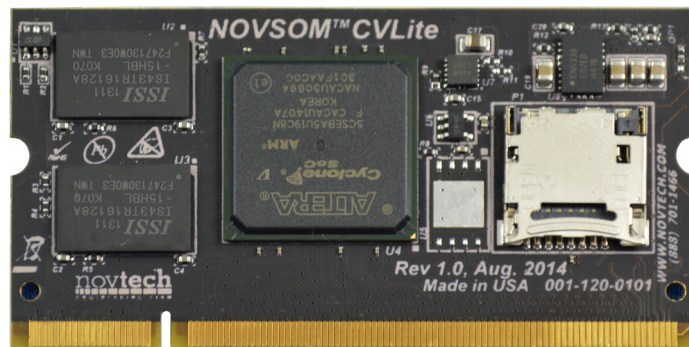
- Cyclone V SoC Module
- NOVPEK™ CVLite base-board
- AC/DC Power supply
- Ethernet cable
- USB 2.0 A-B Cable
- 16 GB USB 3.0 Memory stick with software and documentation

Software and documentation

- SD card with Linux image and example code
- Quick Start Guide
- Linux VM with Intel tools
- FPGA VHDL reference designs



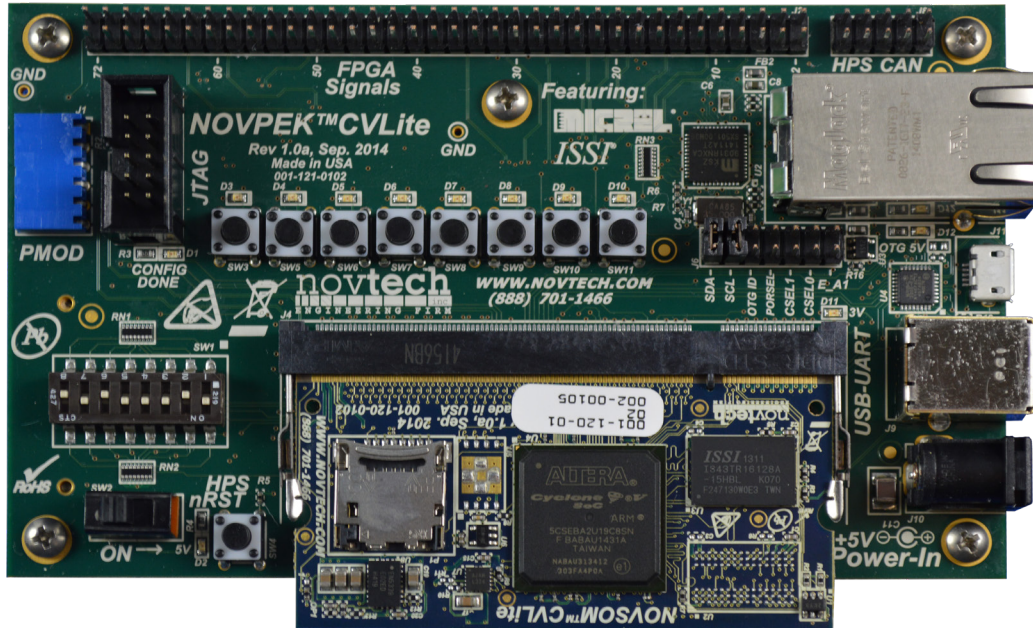
NOVSOM®CVLite Block Diagram



'If the SoC can do it, our SoM can do it'™

NOVSOM®CVLite Features

- Cyclone V SoC 484 BGA (U19) part
- Up to 1GB DDR3
- On-board solid state storage/boot options (HPS)
 - > μSD
 - > QSPI serial FLASH
 - > FPGA
- On-board FPGA configuration device (QSPI)
- On-board clocks
- On-board power solution requiring a 5V power input
- All FPGA signals are routed to SO-DIMM 200 pins, 2V5 type (excluding HPS DDR3)
- Allows any voltage assignment to each I/O bank (VCCIO, VCCPD, VREF)



NOVPEK™ CVLite Features

Connectivity

- 1GB Ethernet Port
- USBOTG (HPS)
- SD slot (HPS)
- CAN (HPS)
- UART (HPS Terminal)
- PMOD™ (FPGA)
- FPGA pins accessible via 100 mil dual row pin-header

Interface

DIP Switch

- 4 connected to HPS
- 3 connected to FPGA via HPS bridge

Push Buttons

- 4 connected to HPS
- 4 connected to FPGA via HPS bridge

LEDs

- 4 connected to HPS
- 4 connected to FPGA via HPS bridge

Debug

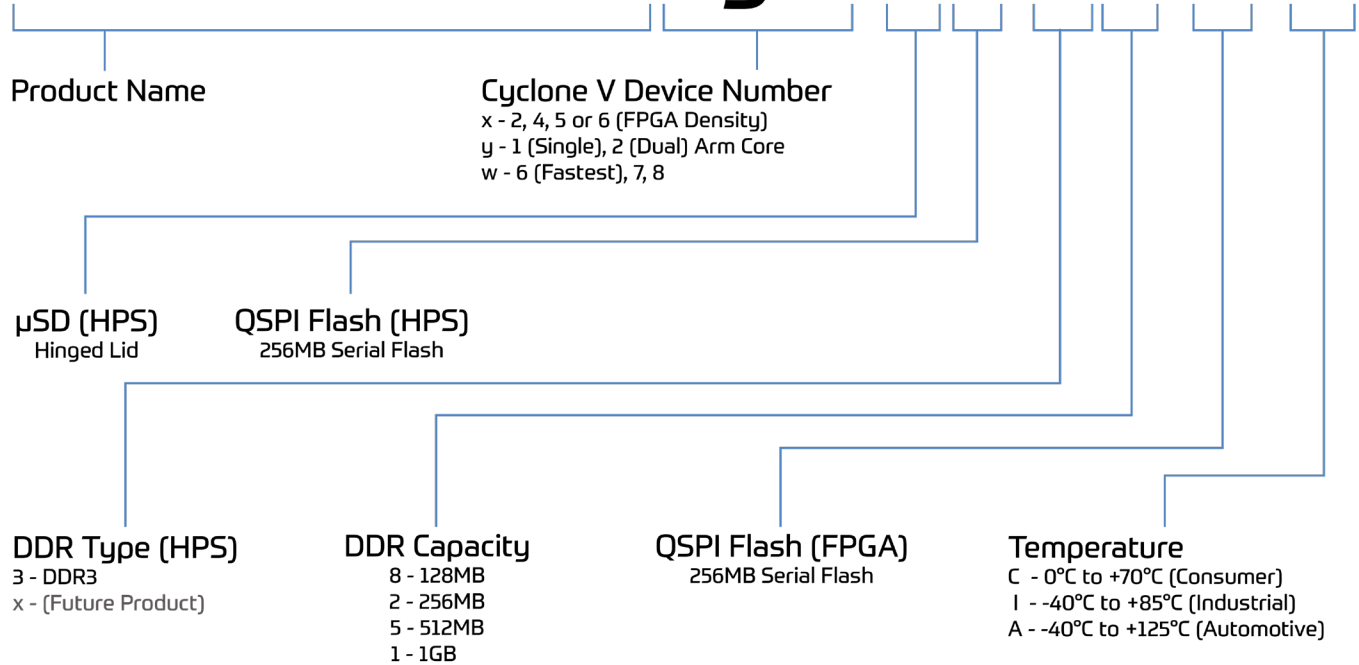
HPS

- JTAG
- Terminal

FPGA

- JTAG
- System Console

NOVSOM® CVLxyw-SF-TY-F-K



NOVSOM® CVLite Ordering Guide

Examples of Valid Parts Numbers:

NOVSOM®CVL218-S-32-C (stocking part)

SoM with Cyclone V 5CSEBA2 484 BGA, single Arm core, μSD slot (lock type), 256MB DDR3, Consumer temperature range.

NOVSOM®CVL527-S-35-F-I

SoM with Cyclone V 5CSEBA5 484 BGA, Dual Arm core, μSD slot (lock type), 512MB DDR3, 256MB QSPI (FPGA), Industrial temperature range

NOVSOM®CVL618-F-31-A

SoM with Cyclone V 5CSEBA6 484 BGA, Single Arm core, 256MB QSPI (HPS), 1GB DDR3, Automotive Temperature range.

NovTech Services:

- Design and prototype of add-on boards with four to six weeks lead time
- Customization of the base-board to customer requirements
- Design and prototype of a custom single board solution
- OS port and device driver development (Linux, Android)

For NOVPEK™CVL and NOV SOM®CVL
pricing and availability, contact
your local Arrow representative

or

NovTech at (954) 341-3320, info@novtech.com

NovTech is a recognized third party and partner with some of the leading IC manufacturers and CAD companies



FPGA Design
Solutions Network
Platinum



Altium
North America
Premier Partner