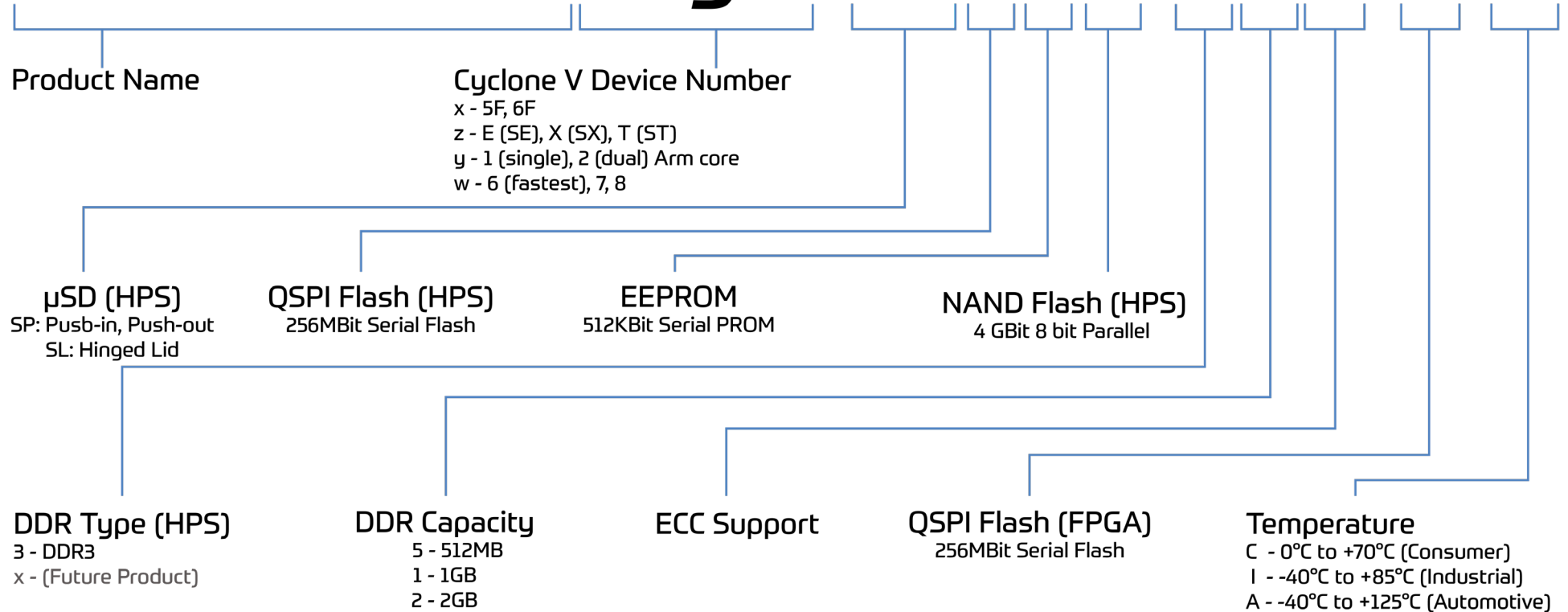


NOVSOM®CVxzyw-SxFEN-TYE-F-K



Examples of Valid Parts Numbers:

NOVSOM®CV6FX28-SL-31E-F-C (stocking part)

SoM with Cyclone V 5CSXC5 896 BGA, Dual Arm core, μ SD slot (lock type), 256Mbit QSPI (HPS), 1GB DDR3 with ECC, 256 MBit QSPI (FPGA), Consumer Temperature range.

NOVSOM®CV54UE1-SLN-35-F-I

SoM with Cyclone V 5CSEA4 672 BGA, Single Arm core, μ SD slot (lock type), 4Gbit NAND Flash (HPS), 512 MB DDR3, 256MBit QSP (FPGA), Industrial Temperature range.

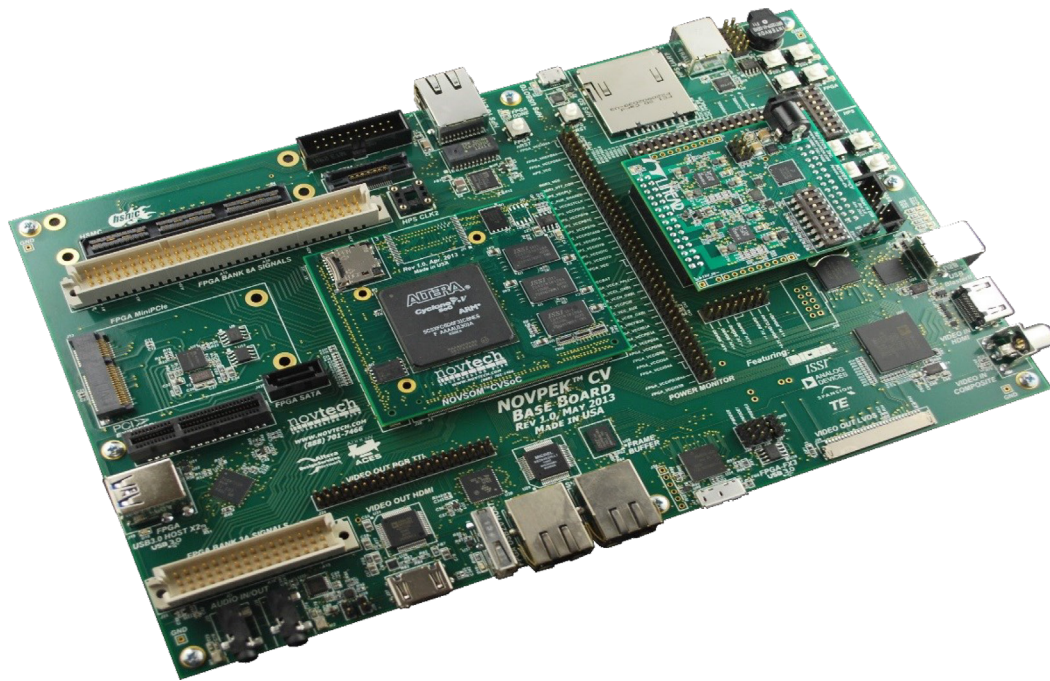
NOVSOM®CV5FT6-SL-32E-A

SoM with Cyclone V 5CSTD6 896 BGA, Dual Arm core, μ SD slot (lock type), 2GB DDR3 with ECC, Automotive Temperature range.

NOVPEK™CV

Platform Evaluation Kit

Unleash the power of Intel® Cyclone® V SoC



Kit Contents:

Hardware

- Cyclone V SoC Module
- NOVPEK™CV base-board
- AC/DC Power supply
- Ethernet cable
- Two USB 2.0 A-B Cable

Software and documentation

- SD card with Linux image and example code
- Quick Start Guide
- Linux VM with Intel tools
- FPGA VHDL reference designs



FPGA Design
Solutions Network
Platinum

